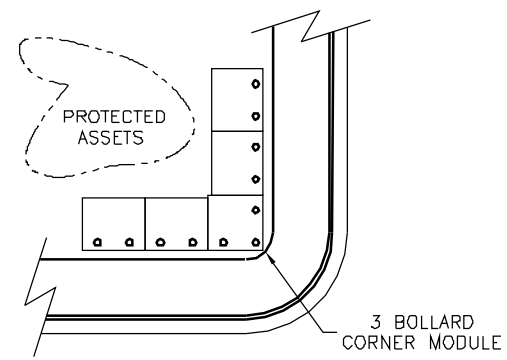
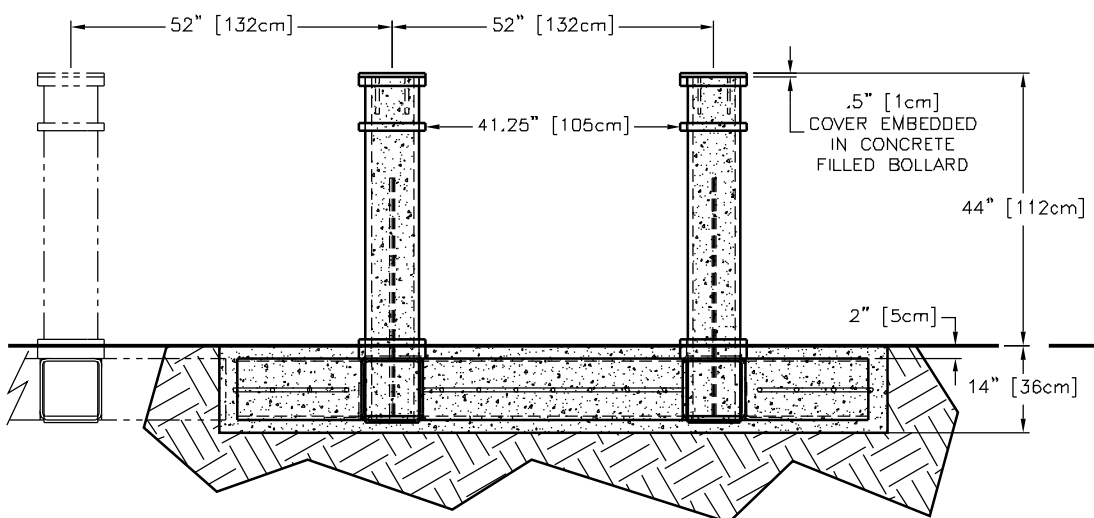
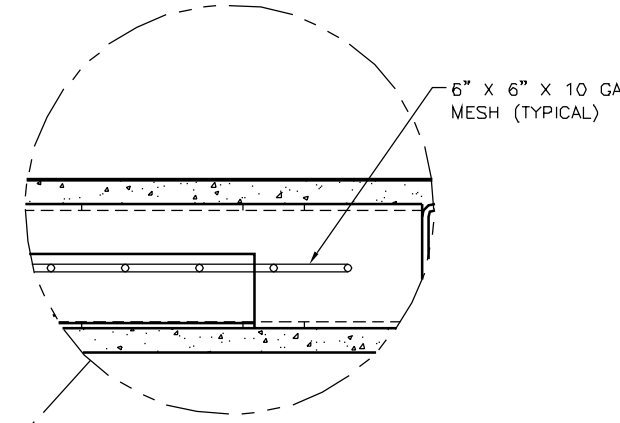


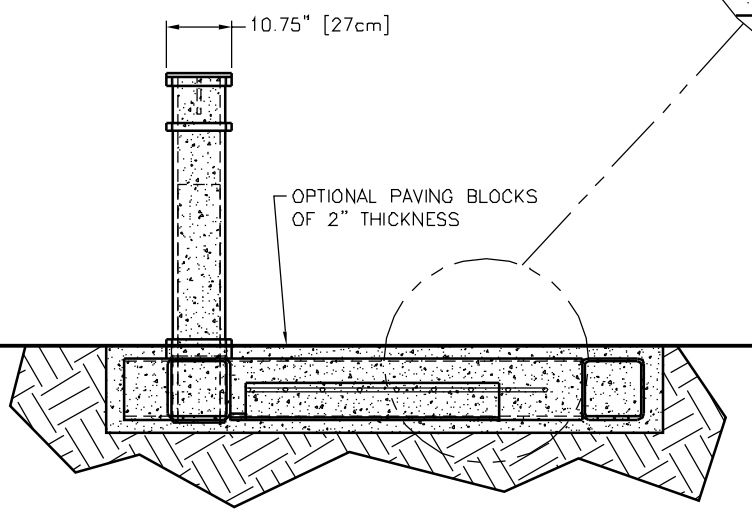
CONVEX CORNER ARRAY



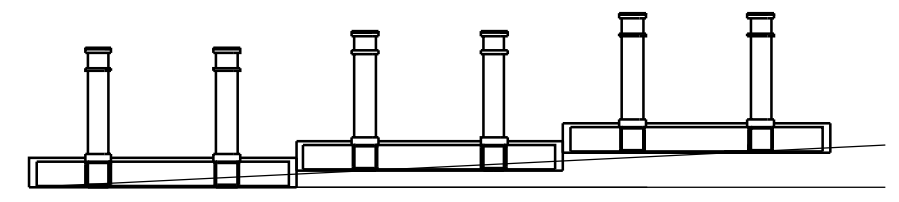
SHARP ANGLE ARRAY



SECTION A-A



SECTION B-B



INCLINE ARRAY

E	SEE ECO 2008-011	SWB	02/11/08		
D	SEE ECO 2007-144	K, RAS	11/14/07		
C	SEE ECO 2007-134	K, RAS	10/30/07		
B	SEE ECO 2007-107	DCM	07/25/07		
A	SEE ECO 2007-105	DCM	07/23/07		
REV.	DESCRIPTION	DRWN BY	DATE	APPVD BY	DATE

UNLESS OTHERWISE NOTED DIMENSIONS ARE IN INCHES

DELTA DELTA SCIENTIFIC CORPORATION
40355 DELTA LANE
PALMDALE, CA 93551 U.S.A.
(861) 575-1100 FAX (861) 575-1109

DSC600 FIXED BOLLARD MODULE GENERAL ARRANGEMENT

DRWN BY: D. MILLER DATE: 07/12/07 DRAWING NO.: 90475 REV.: E

CHKD BY: DATE: SCALE: 1:16 (D SIZE) SHEET: 1 OF 1

APPROV BY: DATE:

© 2007 ALL RIGHTS RESERVED REMOVE ALL BURRS & BREAK SHARP EDGES .02 MAX

TOLERANCES
.X = ±.060/FT
.XX = ±.030/FT
.XXX = ±.010/FT
ANGLES = ±.5°

SURFACE FINISH
125